



CENTURION



PALLET RACK REPAIR

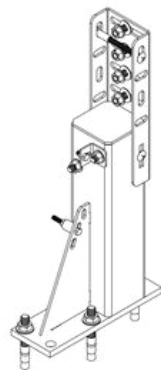
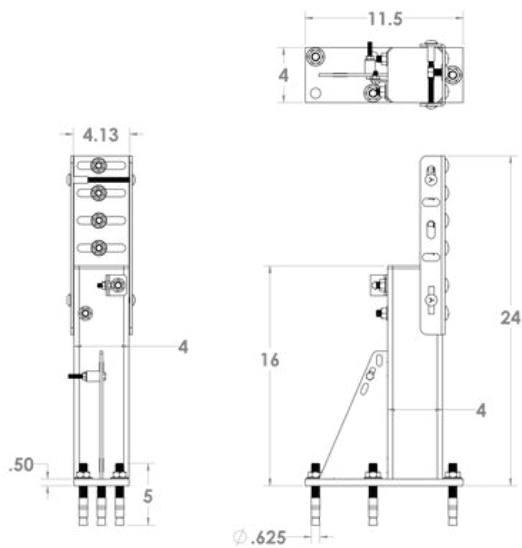
Say goodbye to costly downtime and say hello to quick, hassle-free pallet rack maintenance with Centurion Rack Repair Kits. Our kits can be installed in under 45 minutes without the need to offload your rack. Featuring the innovative Centurion Cuff with multiple attachment slots for stability and vertical adjustment, as well as non-s snag side connections, Centurion ensures that your pallets move smoothly in and out of the bay, making it a top choice for efficient rack repair.

**LOW
GUARD**



**ROW
GUARD**





LOW GUARD

Dedicated to the bottom 16" of the upright and made to fit 3", 4" or 5" uprights. The Centurion Low Guard is the best, most cost-effective, heavy-duty solution for damage to the bottom of the upright or at the base plate.

Includes:

- ¾" x 5 ½" wedge anchors
- Grade 5 carriage bolts
- ½" thick base
- Gusset for added strength



PALLET RACK REPAIR KITS

It's not a matter of **IF** your pallet rack uprights will experience impact, it's a matter of **WHEN**.

Avoid costly downtime with Centurion!

ROW GUARD

Protecting your rack against side impact, the Row Guard is a preventative solution to replace the traditional, industry standard end of row guards. It protects and repairs both front and rear uprights. Gain back valuable square footage in your facility! Custom made to fit your size of racking.

Includes:

- ¾" x 5 ½" wedge anchors
- Grade 5 carriage bolts
- ½" thick base

